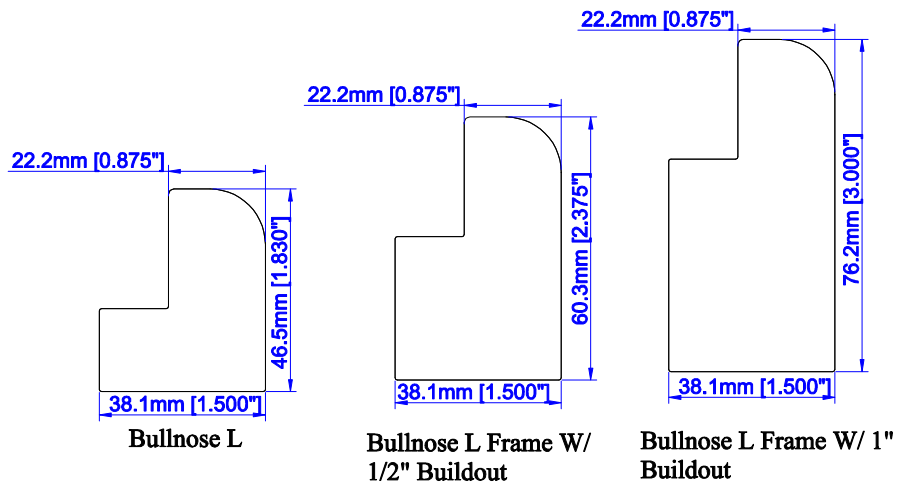
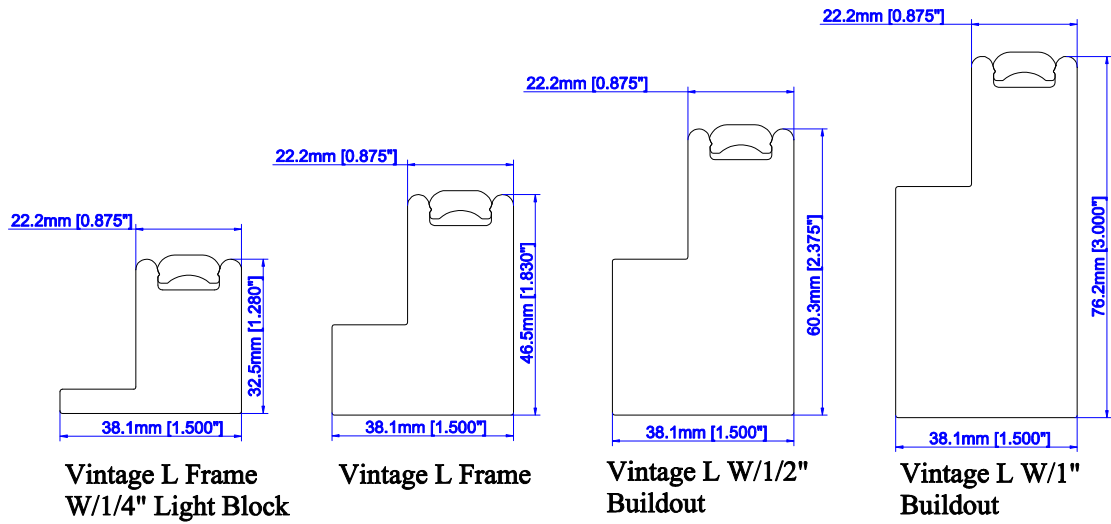
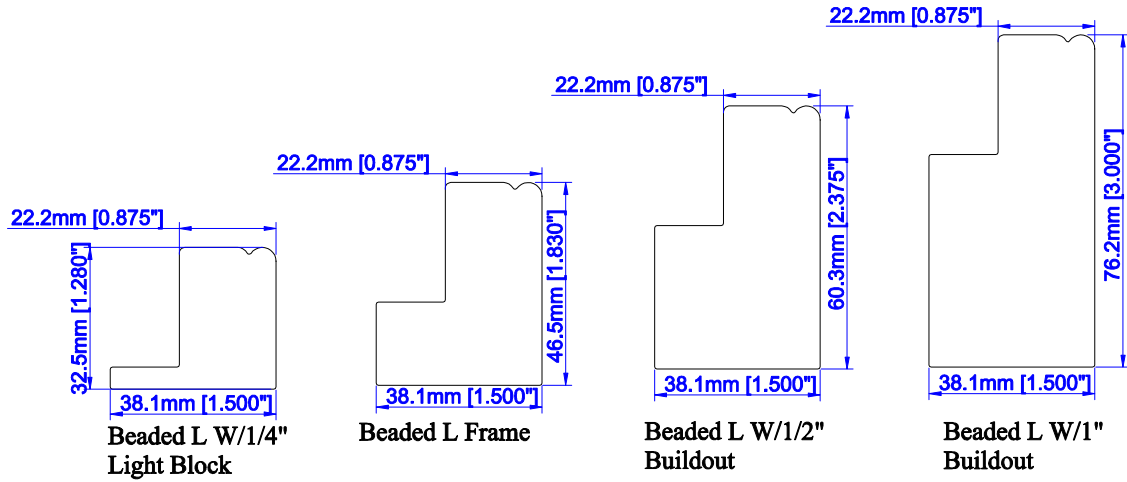
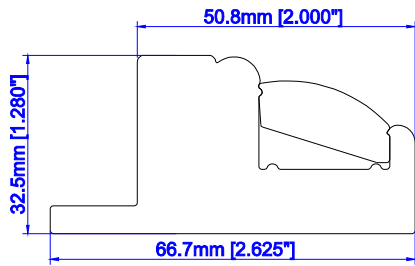


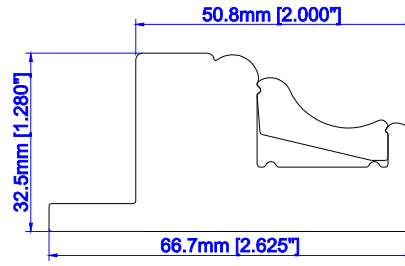
Frame Styles



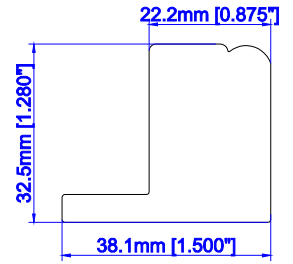
Frame Styles



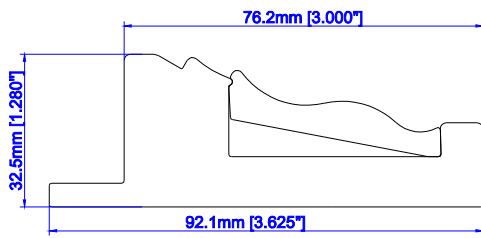
2" Camber Deco Frame



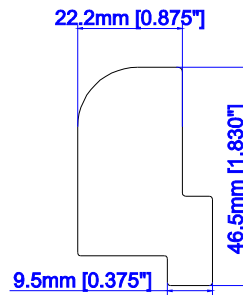
2" Classic Deco Frame



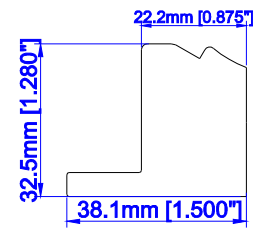
2" Deco Sill Plate



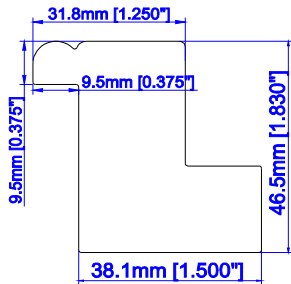
3" Ridge Deco Frame



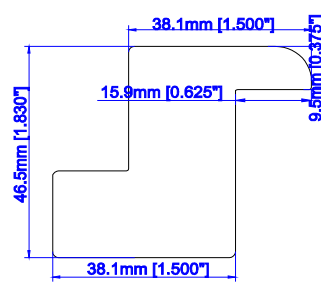
Tilt Out Z Frame



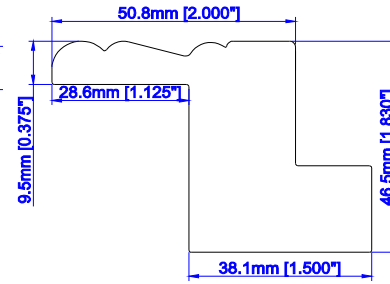
Ridge Deco Sill Plate



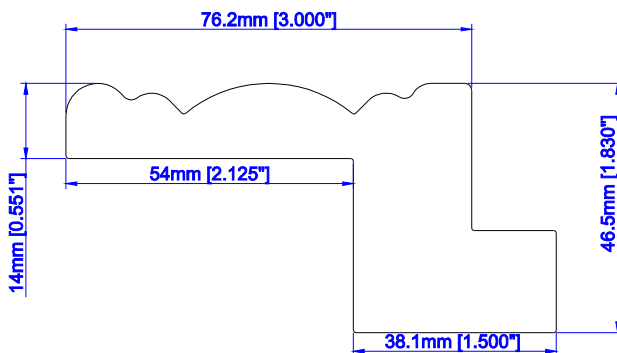
1 1/4" Beaded Z Frame



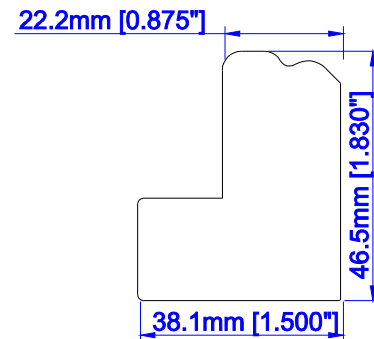
1 1/2" Bullnose Z Frame



2" Bel Air Z Frame

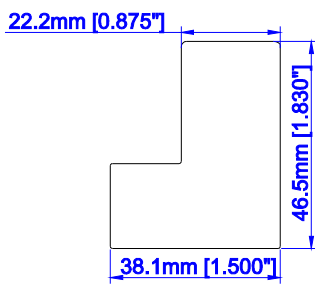


3" Crown Z Frame

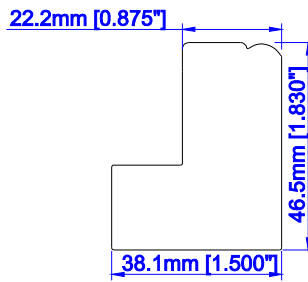


3" Crown Z Sill Plate

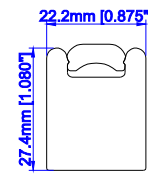
Frame Styles



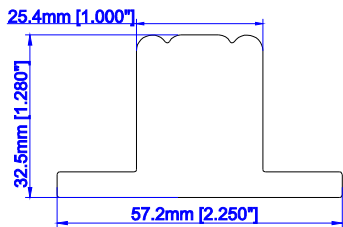
1 1/2" Bullnose Z
1 1/4" Beaded Z
Sill Plate



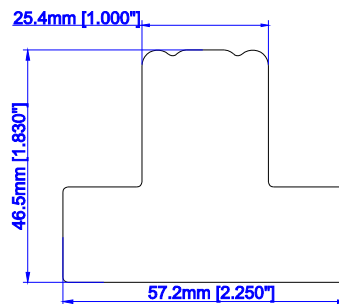
2" Bel Air Z Sill Plate



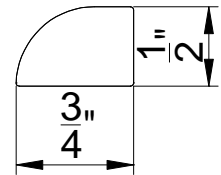
Vintage Hang Strip



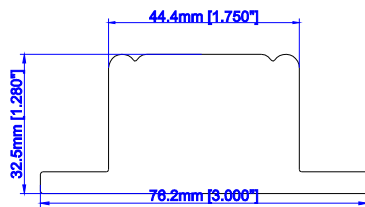
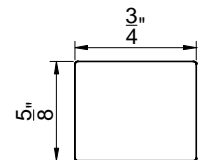
1" T Post W/ 1/4" Light Block
(Deco)



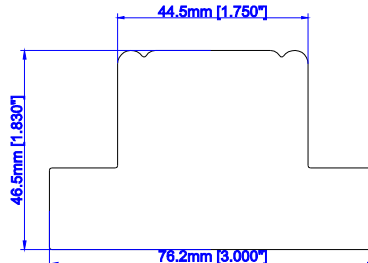
1" T Post W/ 3/4" Light Block
(L/Z/HS)



Quarter Round

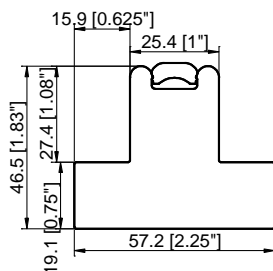


1 3/4" T Post W/ 1/4" Light
Block (Deco)

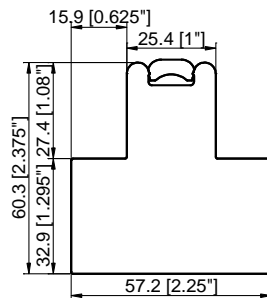


1 3/4" T Post W/ 3/4" Light
Block (L/Z/HS)

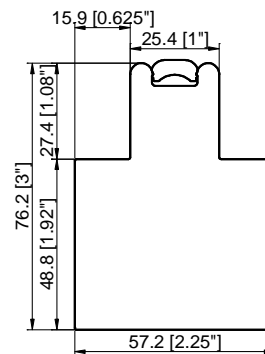
T-Post with Insert will be available after 10th August, 2015.



1" T Post with Insert
w/ 3/4" Light Block

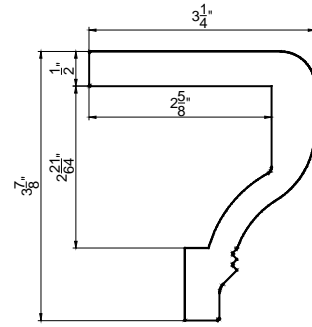
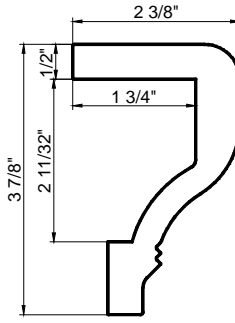
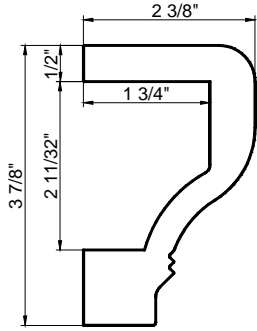


1" T Post with Insert
w/ 1 5/16" Light Block

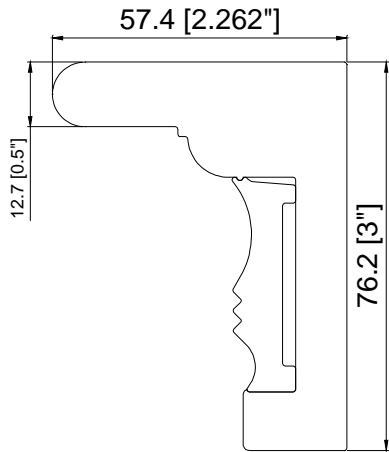


1" T Post with Insert
w/ 1 15/16" Light Block

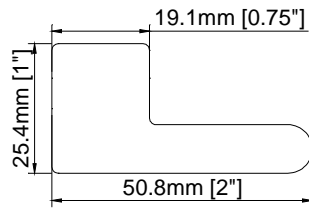
Frame Styles



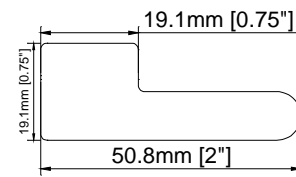
Curved Designer Sill Cap (L) Curved Designer Sill Cap (D/HS) Curved Designer Sill Cap (Z)



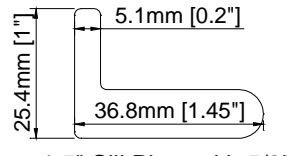
3" Deco Sill Frame



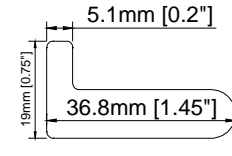
2" Sill Plate with 5/8" Light Block (Z)



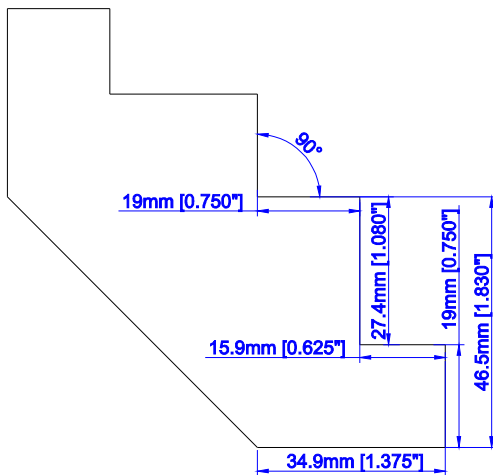
2" Sill Plate with 3/8" Light Block (Z)



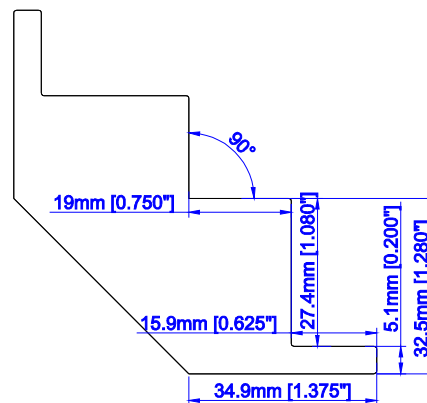
1.5" Sill Plate with 5/8" Light Block (Deco)



1.5" Sill Plate with 3/8" Light Block (Deco)

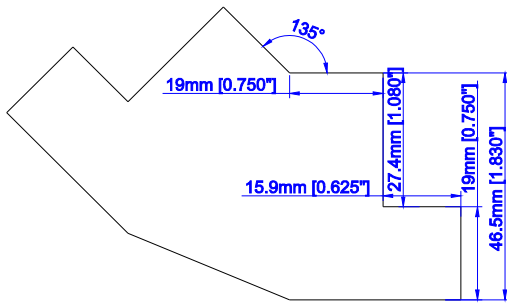


Corner Post W/ 3/4" Light Block (L/Z/HS)

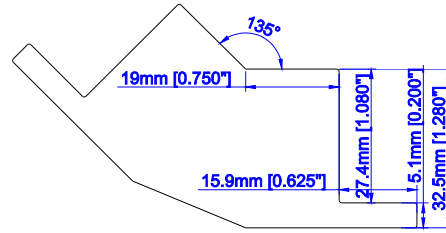


Corner Post W/ 1/4" Light Block (Deco)

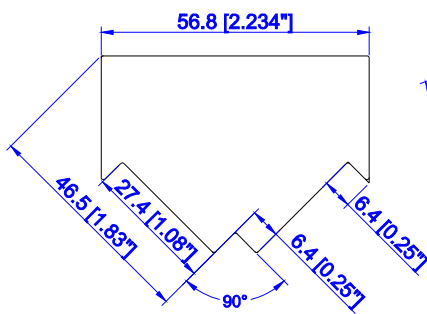
Frame Styles



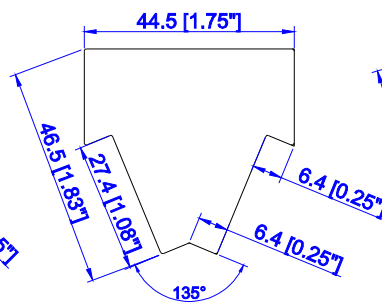
**Bay Post W/ 3/4"
Light Block (L/Z/HS)**



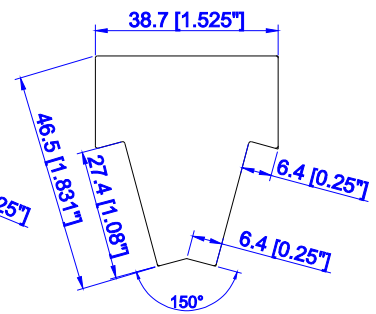
**Bay Post W/ 1/4"
Light Block (Deco)**



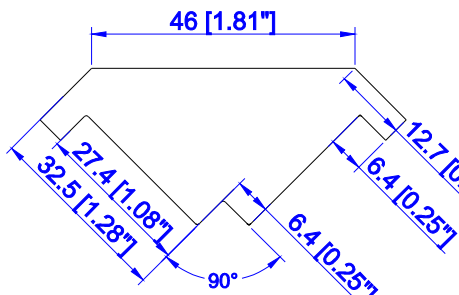
**Slim Fit Corner Post for
90 Degree (L/Z/HS)**



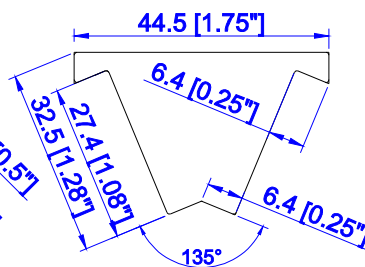
**Slim Fit Bay Post for
135 Degree (L/Z/HS)**



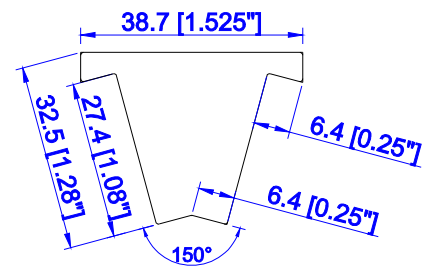
**Slim Fit Bay Post for
150 Degree (L/Z/HS)**



Slim Fit Corner Post for 90 Degree (D)



Slim Fit Bay Post for 135 Degree (D)

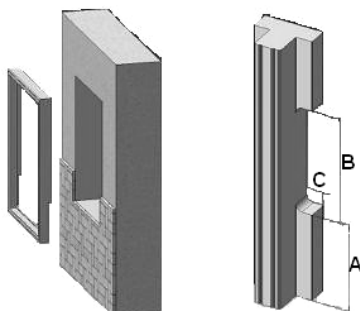


Slim Fit Bay Post for 150 Degree (D)

Notch out*:

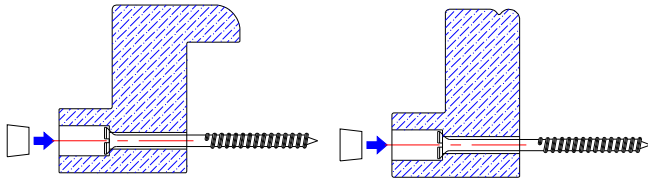
- L Frame
- T Post

Specify dimensions in special instruction box.

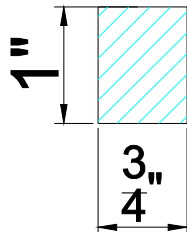


Frame Styles

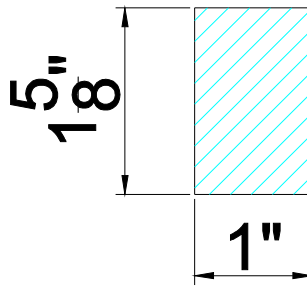
Pre-drill L or Z Frames:



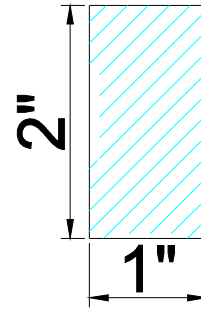
Batten Frame (For French Door Type E/F)



For 1 7/8" & 2 1/2"
Louver



For 3 1/2" Louver



For 4 1/2" Louver